

MANILEC

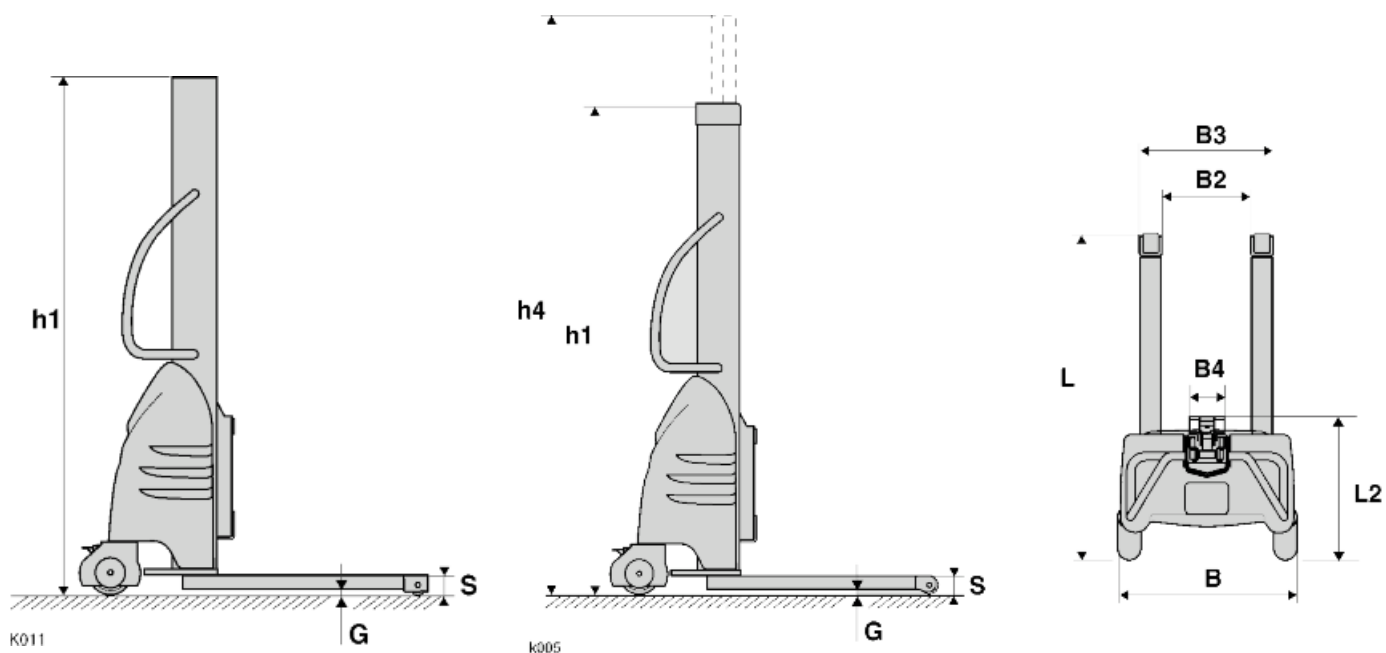
■ **KLÉOS**

**Manual and electro-manual stackers
with interchangeable tools**



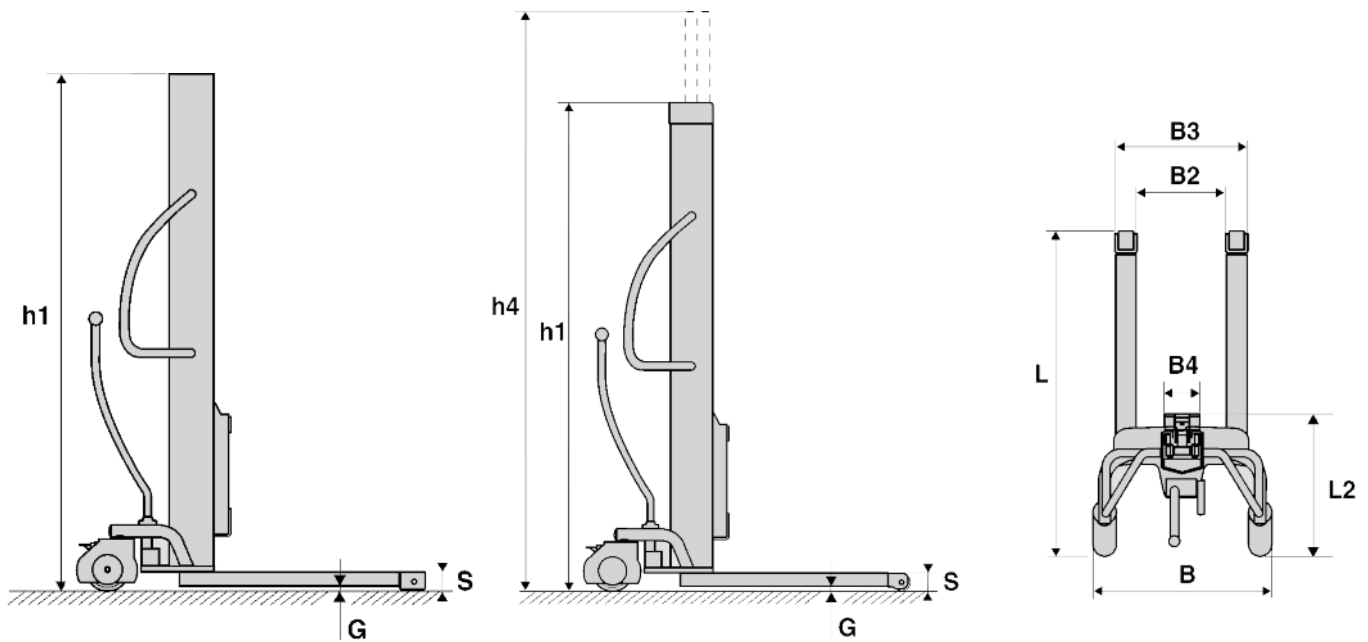
 **MANITOU**

STACKERS WITH ELECTRIC LIFT



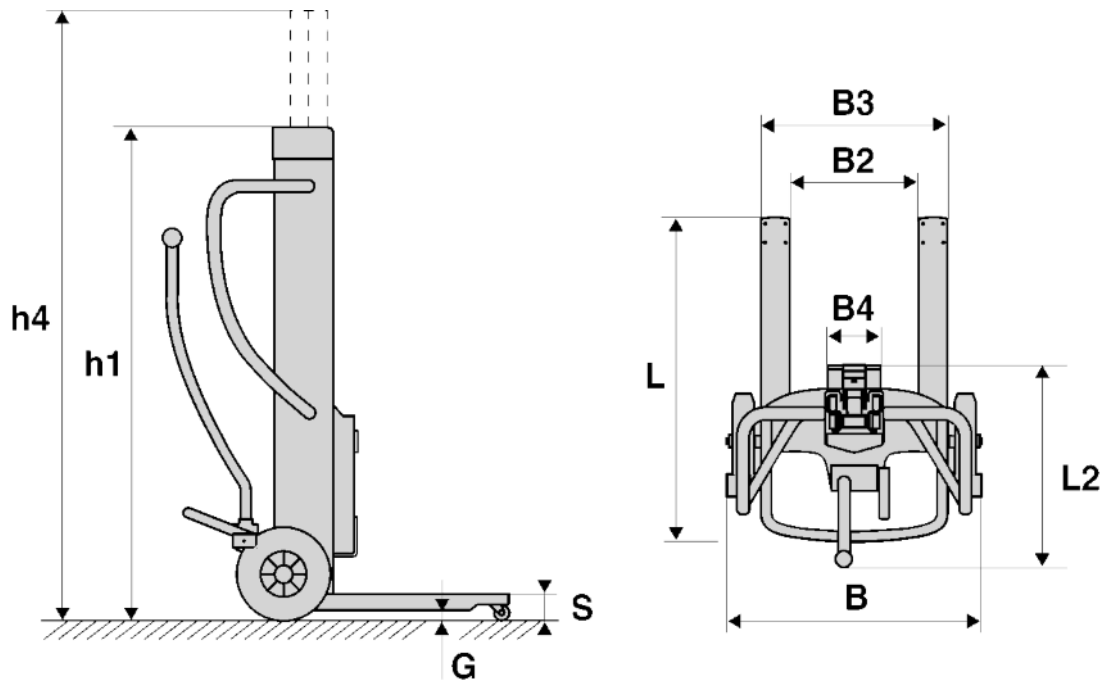
Code								
Manufacturer		MANITOU						
Type		EB 250 D18	EB 250 D25	EB 500 D18	EB 500 D25	EB 1000 S16	EB 1000 D28	
Specifications								
Nominal load capacity	Q	Kg	250		500		1000	
Nominal load center		mm	Conditionned by tool					
Effective load center		Kg						
Lifting mast								
Type of mast :			Duplex	Duplex	Duplex	Duplex	Simplex	Duplex
Overall height mast closed	h1	mm	1 585	1 815	1 600	1 950	1 990	2 025
Overall height mast extended	h4	mm	2 475	3 055	2 490	3 190	1 990	3 400
Lifting distance		mm	1 780	2 480	1 780	2 480	1 570	2 740
Supporting arms								
External width	B3	mm	529		519		520	530
Internal width	B2	mm	351		341		300	310
Height from ground	S	mm	75		75		75	80
Ground clearance	G	mm	40		35		25	30
Dimensions								
Overall length without tool	L	mm	1 032		1 300		1 330	1 530
Overall width	B	mm	710		710		710	715
Length up to carriage	L2	mm	571		575		570	740
Mast width	B4	mm	155		168		188	198
Weight								
Stacker without tool		Kg	155	170	220	240	260	365
Wheels								
Fixed rubber back wheel : Q x (Ø x L)		mm	2 (150 x 50)					2 (160 x 40)
Swivel steel front castor : Q x (Ø x L)		mm	2 (75 x 65)				4 (75 x 65)	
Performances								
Lifting motor power		W	1 200					1 500
12 V battery capacity		A/h	110					
Lifting speed - laden		m/mn	7,5					
Adjustable lowering speed		m/mn	10 maxi					

STACKERS WITH MANUAL LIFT



Code							
Manufacturer			MANITOU				
Type			HM 250 D18	HM 250 D25	HM 500 D18	HM 500 D25	HM 1000 S16
Specifications							
Nominal load capacity	Q	Kg	250		500		1000
Nominal load center		mm	Conditionned by tool				
Effective load center		Kg					
Lifting mast							
Type of mast :			Duplex	Duplex	Duplex	Duplex	Simplex
Overall height mast closed	h1	mm	1 585	1 815	1 600	1 950	1 990
Overall height mast extended	h4	mm	2 475	3 055	2 490	3 190	1 990
Lifting distance		mm	1 780	2 480	1 780	2 480	1 570
Supporting arms							
External width	B3	mm	529		519		520
Internal width	B2	mm	351		341		300
Height from ground	S	mm	75		75		75
Ground clearance	G	mm	40		35		25
Dimensions							
Overall length without tool	L	mm	1 032		1 300		1 330
Overall width	B	mm	710		710		710
Length up to carriage	L2	mm	571		575		570
Mast width	B4	mm	155		168		188
Weight							
Stacker without tool		Kg	110	110	178	190	220
Wheels							
Fixed rubber back wheel : Q x (Ø x L)		mm	2 (150 x 50)				2 (160 x 40)
Swivel steel front castor : Q x (Ø x L)		mm	2 (75 x 65)				4 (75 x 65)
Performances							
Lift per stroke		mm	32				20
Adjustable lowering speed		m/mn	10 maxi				

TROLLEY STACKER




Codification			
Manufacturer			MANITOU
Type			DHM 250 D15
Specifications			
Nominal load capacity	Q	Kg	250
Nominal load center		mm	(*)
Effective load center		Kg	(*)
Duplex lifting mast			
Overall height mast closed	h1	mm	1 305
Overall height mast extended	h4	mm	2 043
Lifting distance		mm	1 480
Supporting arms			
External width	B3	mm	500
Internal width	B2	mm	340
Height from ground	S	mm	76
Ground clearance	G	mm	45
Dimensions			
Overall length without tool	L	mm	911
Overall width	B	mm	666
Length up to carriage	L2	mm	516
Mast width	B4	mm	152
Weight			
Stacker without tool		Kg	95
Wheels			
Fixed rubber back wheel : Q x (Ø x L)		mm	2 (250 x 40)
Swivel steel front castor : Q x (Ø x L)		mm	2 (50 x 20)
Performances			
Lift per stroke		mm	32
Adjustable lowering speed		m/mn	10 maxi

(*) The effective capacity and the load center are conditioned by the tool used.

DIMENSIONS OF TOOLS

TOOLS FOR KLEOS 250 Kg

KLEOS Tools	Q Kg	Load Center mm	A1 mm	A2 mm	B mm	B1 mini mm maxi mm		C mm	D mm	E mm	E1 mm	E2 mm	F mm	 Kg
FA 250	250	250	500	540		230	650	50	50	20			680	33
POT 250 *	150	400	425	440	50			170					320	22
EPE 250	250	250	500	515	∅ 40			270					320	21
PLF 250	200	300	620	635	500			280		88			630	40
BEC 250	200	350	125	180	400			250					630	24
REB 250	200	300	600	629		258	548	195	8	60			680	20

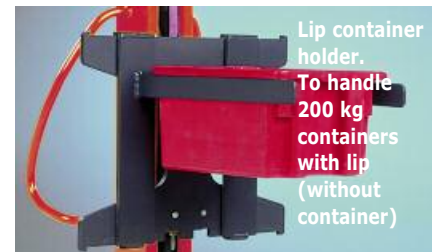
* Except for KLEOS DHM 250.

TOOLS FOR KLEOS 500 Kg

FA 500	500	350	700	745		250	680	45	60	30			720	54
FR 500	500	600	1150	1177	560	200	315	85		70			700	68
POT 500	250	600	625	652	50			150					320	25
EPE 500	500	350	700	715	∅ 50			252					320	30
PLF 500	500	350	700	727	600			280		91			630	50
BEC 500	200	350	125	180	400			225					630	24
REB 500	200	300	600	629		258	578	170	8	60			720	25
PLX 500	500	450	900	927	624	608		345		198	147	207	630	83
FUT 500	300	600	795	600	1 057	350	650	245		240	631			92

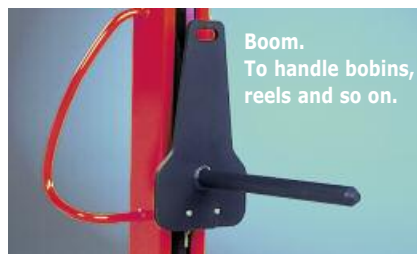
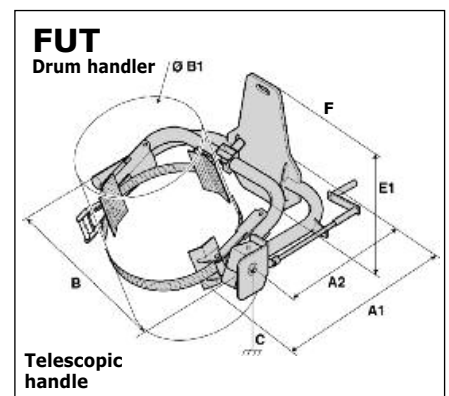
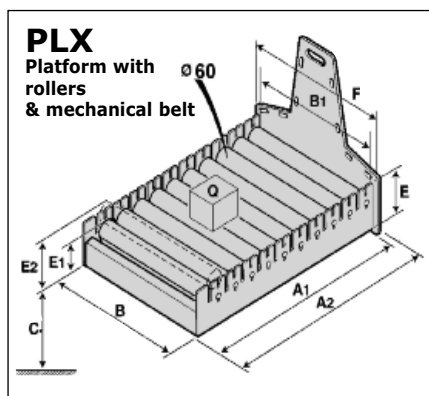
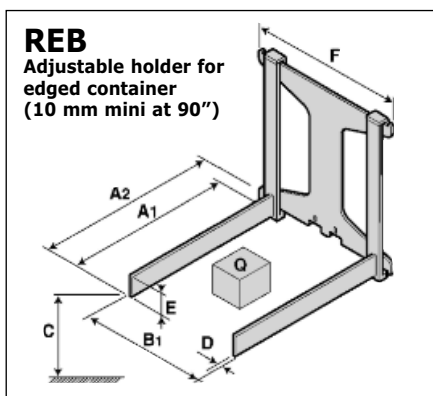
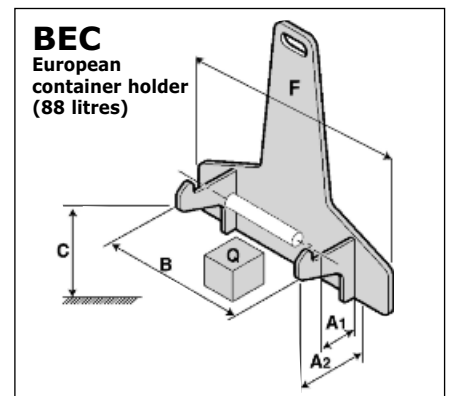
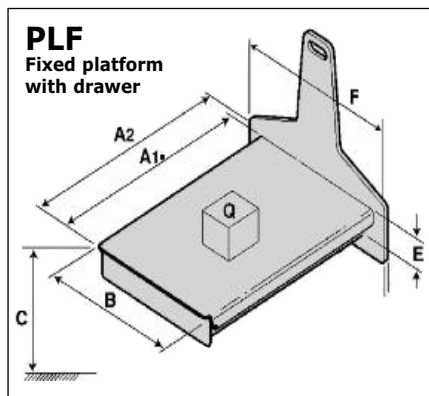
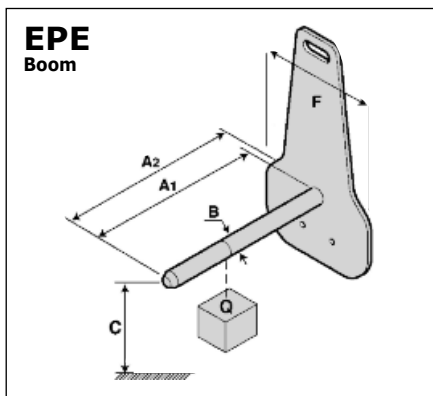
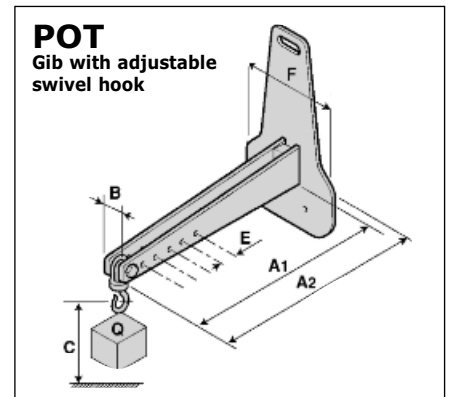
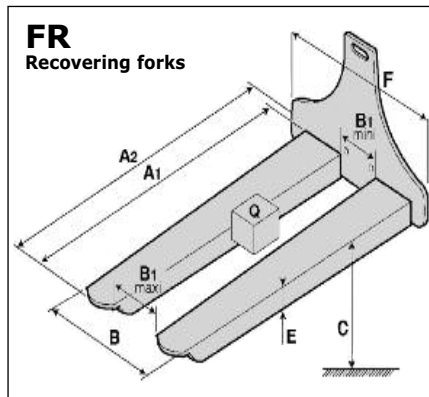
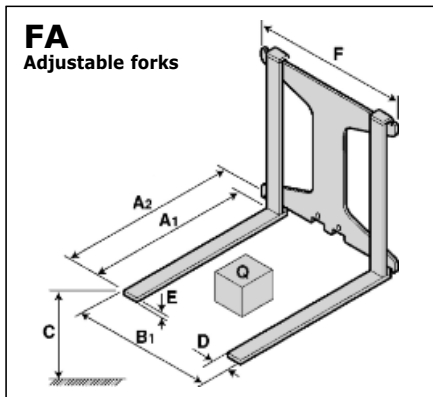
TOOLS FOR KLEOS 1000 Kg

FA 1000	1000	500	950	1017		190	710	45	80	40			730	123
FR 1000	1000	600	1150	1182	560	200	320	90		70			700	82
POT 1000	500	600	625	652	50			145					320	33
EPE 1000	1000	350	700	730	∅ 60			245					320	38
PLF 1000	1000	350	700	727	600			275		91			630	65
BEC 1000	200	350	125	180	400			225					630	24
REB 1000	200	300	600	641		158	588	157	8	60			730	32
PLX 1000	1000	450	900	927	624	608		340		198	147	207	630	98
FUT 1000	300	600	795	600	1 057	350	650	245		240	631			92



MANITOU may, without notice, improve and modify the products presented in this data sheet.

DIMENSIONS OF TOOLS



Drum handle.
To grab and empty
Ø 350 to 650 mm
drums.



Distributed by :



MLM
Z.I., 5 avenue du Vert-Galant 95310 SAINT OUEN-L'AUMONE FRANCE
Tél. : +33 (0) 1.34.32.65.06 or 08 Fax : +33 (0) 1.34.32.65.10