



MANITRANSIT



TMT 27 P

Rough terrain telescopic truck-mounted forklift

- Maximum capacity 2700 kg
- Unloading from one side of the deck
- Dedicated for poultry applications

 **MANITOU**



MANITRANSIT

TMT 27 P

• CAPACITY

Maximum capacity.....2700 kg

• LIFTING

Maximum lifting height.....3400 mm

Maximum front reach.....1210 mm

Side-shift.....135 mm

• ENGINE / TRANSMISSION

TypeKUBOTA 4 cylinders Diesel (50 HP)

Hydrostatic transmission

Driving wheels.....3

• TYRES

Front tyres.....280X60-15,5

Rear tyres.....280X60-15,5

• WEIGHT AND DIMENSIONS

Width.....2348 mm

Height.....2200 mm

Options1900 / 2000 mm

Overhang (in transport position).....1440 mm

Forks.....2000 mm

Weight (without equipment).....2395 kg

IN STANDARD

ROPS / FOPS cabin + load indicator

FNR 3 functions joystick

Boom with integrated sideshift

Digital control panel

Differential lock

Load backrest 362 mm / 940 mm

Special poultry lighting (white and blue lights)

Self cleaning prefilter

Rustproofing treatment by cataphoresis

Truck lighting transfer + 24 V connection

OPTIONS

Full mounting kit + load repartition calculation

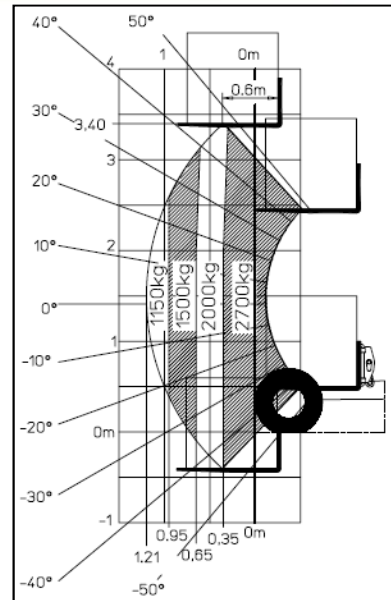
Rearview mirrors

Flashing light

Road lights

Load backrest 1270 mm / 476 mm

Forks : 1200 mm



New digital instrument panel with reinforced electrical sealing



Kubota 50 HP Interim Tier 4 - Stage III A engine with improved cooling system and reduced polluting emissions